

PRIME PANEL PICO ATTACHMENT 15.6" MULTITOUCH-PANEL PC FOR DEMANDING TASKS

FACT SHEET

- IPC easily configurable in hardware and software
- Flexible and extensive connectivity
- High operating safety due to robust system design and IP65

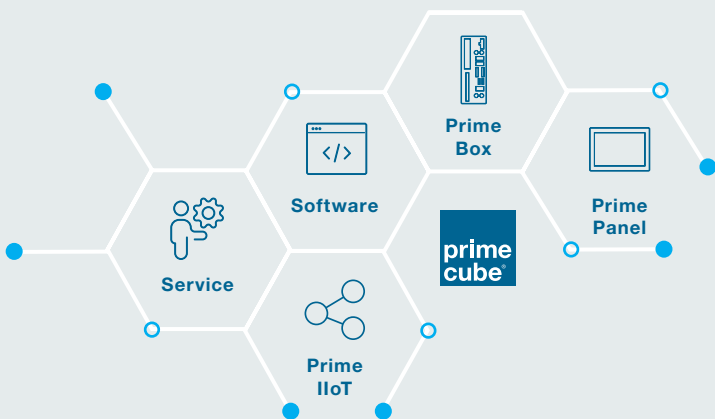


Housing
Passive, fanless cooling.
Modern design, "form follows function".
Optionally supplied with logo and color ident.

Glass front
Optimal readability, low reflection.
Scratch-resistant.
Easy to clean.

Touch
High operating reliability – even under the influence of disturbances.
EMC-stable 4-finger operation, glove operation, Palm Suppression.
Optional parameterization for individual requirements.

THE MODULAR SYSTEM OF PRIME CUBE®



Modular
Customised modular solutions of industrial computer technology with all advantages of standard products: validated platforms, short development process, optimum price performance.

High quality
For 24/7 operation in an industrial environment.
Reliable and robust.
Long-term available (10 years), with a warranty of 36 months.

Application-oriented & customisable
BASE / STYLE / CUSTOM

We are your partner in the complete solution process of industrial computer technology.

From sensor application to tool monitoring in the machine and from embedded computing systems to a future-oriented IoT gateway concept we represent all product steps with our product brands Prime Cube® and BK Mikro®. At our headquarters in Neuhausen ob Eck (Baden-Württemberg) we develop and manufacture with appr. 170 employees customised computer systems: From hardware and software to assemblies and complete systems - innovative force "Made in Germany".



PRIME PANEL PICO ATTACHMENT 15.6"

TECHNICAL DATA

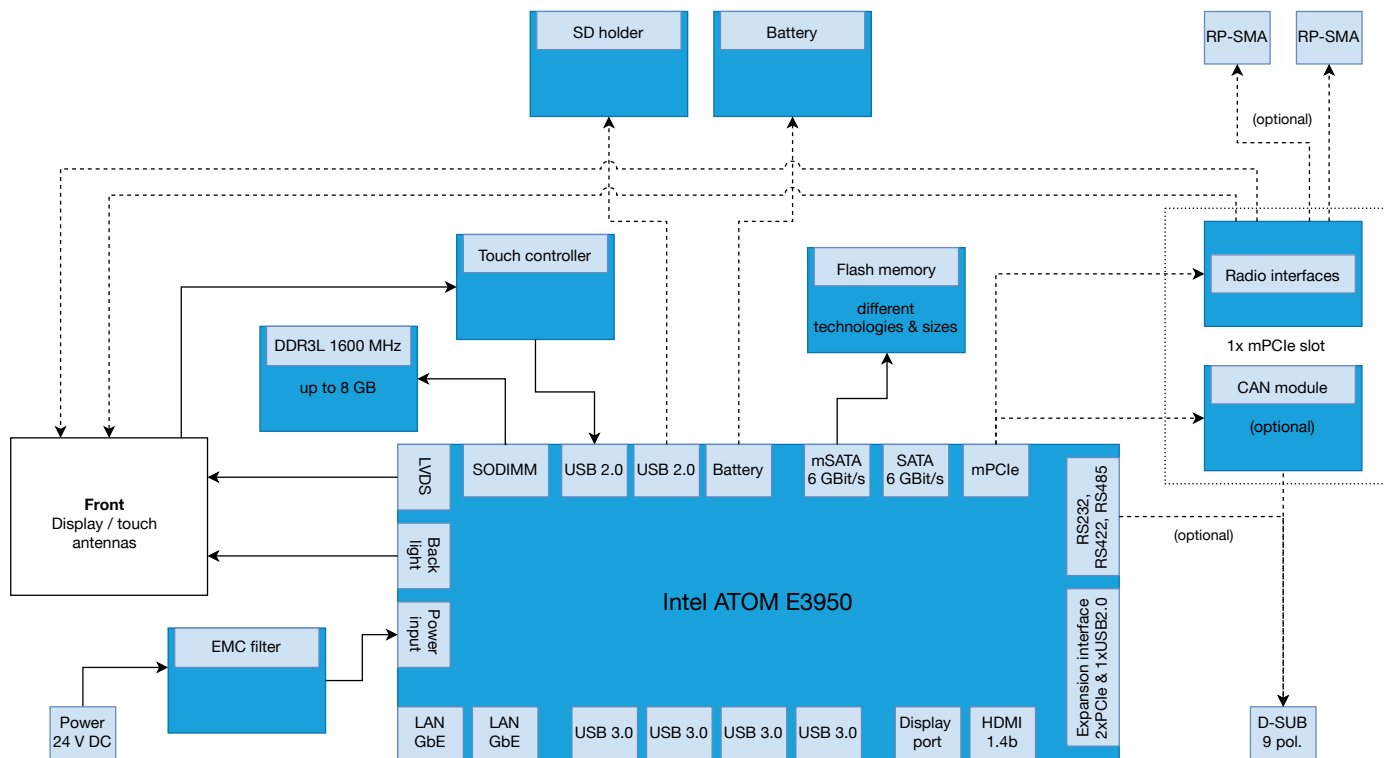
VERSION	PRIME PANEL PICO ATTACHMENT	
	15.6"	
Type code	PPI1100AD_156	
Dimensions (WxHxD)	406.5 x 256 x 80.5 mm	
Weight	5.35 kg	
Housing	Aluminum front frame, powder-coated. Aluminum rear wall, powder-coated. Aluminum computer core with heat sink, anodized. Hardened, non-reflecting front glass. Designed for installation at a VESA mount.	
Protection class	IP65 acc. DIN EN 60529, all-around.	
Display	Size	FHD display, 1920 x 1080 px, 16:9. HD resolution optionally available.
	Brightness (typic.)	450 cd/m ²
	Contrast Ratio (typic.)	800
	Viewing angle (typic.)	89/89/89/89°
	Lifetime lighting (min.)	50.000 h
Touch	Projected Capacitive Touch (PCT), up to 10-finger operation.	
Computer	Processor Intel® Atom x7-E3950, Quad Core, 1.6 GHz	
Memory	Up to 8 GB DDR3L, 1600 MHz	
	1x SODIMM	
Mass storage (other memory sizes and different Flash technologies available)	1x mSATA 64 GB - 512 GB, flash memory	
Extension	1x mPCIe full size	
	1x DSUB 9 pole	
Removable storage (optional)	1x SD card holder. SD card optionally available.	
Interfaces (standard)	2x GbE LAN, separate controllers, Intel® I211-AT	
	4x USB 3.0	
	1x DP	
	1x HDMI	
Interfaces (optional – other options available)	DSUB 9 pole	1x RS232/422/485
	mPCIe	1x CAN, single DSUB 9 pole (Profibus, Profinet and other fieldbusses optionally available)
		1x WLAN and BLUETOOTH (front-integrated or external antenna)
		1x mobile communication
Battery	Buffer battery, ended	
Supply voltage	24 V DC (20.4 ... 28.8 V)	
Operating system	Windows 10 IoT Enterprise 2019 LTSC LINUX 64bit: Debian 10 Distribution	
Ambient temperature*	-10 °C ... +45 °C with natural convection	
	-10 °C ... +50 °C from 0.4 m/s air flow	
Storage temperature	-20 °C ... +60 °C	
Humidity	10% ... 90%, non-condensing	
EMC resistance	Industrial area acc. DIN EN 55024 & DIN EN 61000-6-2	
EMC emitted interference	Industrial area acc. DIN EN 55032 class A	
Shock	15 g: 11 ms and 25 g: 6 ms acc. DIN EN 60068-2-27	
Vibration	2 ... 9 Hz: 3.5 mm amplitude, 9 ... 200 Hz: 1 g acc. DIN EN 60068-2-6	
Warranty	36 months	
Approvals	CE; UL in preparation; acc. UL 61010-2-201 & CSA C22.2 no. 61010-2-201	

* Test conditions: 14 W USB load, 100% CPU load, 100% RAM load, 100% SSD load

Dimension drawings can be downloaded from our [website](#). 3D models are provided on request by e-mail to vertrieb@schubert-system-elektronik.de.

Version 1.04 / 2021 © Schubert System Elektronik GmbH. All rights and modifications reserved. All data are non-binding and do not ensure any properties. The illustrations can also contain special fittings and accessories. We assume no liability for printing errors. The company names, names and logos used are largely protected by copyright and/or trademarks, even if not explicitly marked as such. All product names used are brand names and/or trademarks of the respective manufacturers.

PRIME PANEL PICO ATTACHMENT 15.6" CIRCUIT DIAGRAM



Dimension drawings can be downloaded from our [website](#). 3D models are provided on request by e-mail to vertrieb@schubert-system-elektronik.de.

Version 1.04 / 2021 © Schubert System Elektronik GmbH. All rights and modifications reserved. All data are non-binding and do not ensure any properties. The illustrations can also contain special fittings and accessories. We assume no liability for printing errors. The company names, names and logos used are largely protected by copyright and/or trademarks, even if not explicitly marked as such. All product names used are brand names and/or trademarks of the respective manufacturers.